

## SensoIRIS T110 IS Temperature Fire Alarm Detector

### EN54-5

### Description

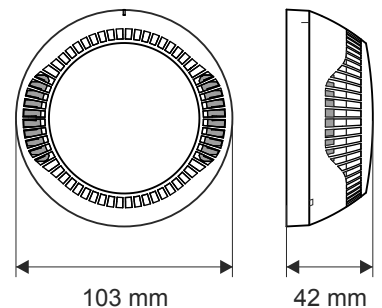
SensoIRIS T110 IS, is an addressable temperature detector with built-in isolator module, designed for installing in addressable fire alarm systems supporting TTE communication protocol.

The detector is powered on from the panel and can be controlled via the communication protocol.



### Technical and Environmental Specifications

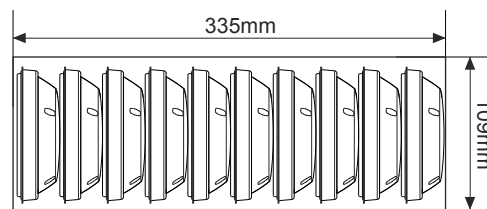
Operating Voltage Range	15 - 30VDC (Nom. 27VDC)
Consumption in quiescent state, no communication	< 170 $\mu$ A@27VDC
Consumption in quiescent state, with communication	< 290 $\mu$ A@27VDC
Consumption in alarm state, with communication	6.5mA
Class, selectable from control panel	A1R, A2R, BR, CR, A1S, A2S, BS, CS
Protected area (in accordance with EN54-5)	up to 35m <sup>2</sup>
Installation height (in accordance with EN54-5)	up to 3.5m
Output in alarm state at terminal RI (terminals 4/ 1)	7.5 mA (max)/ 7.5V
Wire Gauge for terminals	0.4mm <sup>2</sup> - 2.0mm <sup>2</sup>
Operating temperature	-10°C to +65°C
Relative humidity resistance	(93 $\pm$ 3)% @ 40°C
Protection	IP30
Weight (including base)	~110g
Dimensions (including base)	103x42mm



1293-CPD-0293

### Packing Information

• **Master box** - 10 units SensoIRIS T110 IS, dimensions 335 x 109 x 109 mm, without base.  
All detectors are protected with a plastic cap.



### Compatible Product Range

- **IRIS** - Addressable Fire Panel
- **IRIS TTE Loop** - Loop Expander for one loop
- **SensoIRIS FRI-1** - Remote Fire Indicator
- **SensoIRIS B124** - Standard Base
- **Deep Base** - Accessory for mounting on rough surfaces, outdoor pipelines, etc.
- **SensoIRIS Programmer** - Address Programming Tool

### Contact Information: