

## SensoIRIS Programmer Device Programming Tool

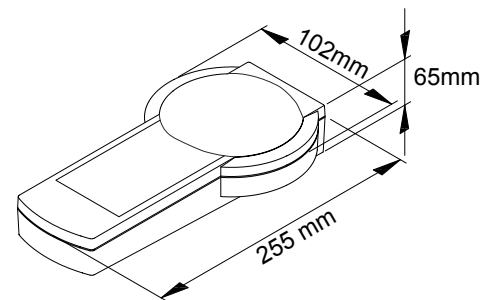
### Description

SensoIRIS Programmer is a programming tool for assigning addresses of SensoIRIS devices (detectors, modules, call points and sounders), supporting communication protocol TTE. The programmer is designed for reading and writing addresses, and setting of parameters to SensoIRIS series addressable detectors: T110, T110IS, S130, S130IS, M140 M140140IS.



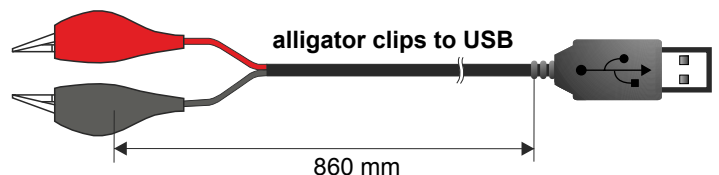
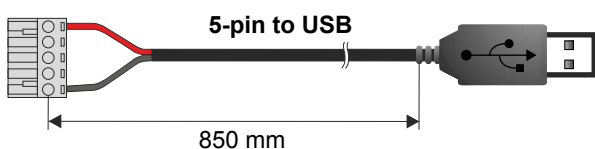
### Technical and Environmental Specifications

Main Power Supply . . . . . 4.2 8 VDC  
Back-up Power Supply . . . . . Batteries 4 x 1.5V, size AA  
Current consumption:  
Stand-by (display backlight ON) . . . (28 ±2)mA @ 6VDC  
Stand-by (display backlight OFF) . . . (22 ±2)mA @ 6VDC  
Communication . . . . . (60 ±5)mA @ 6VDC  
Range of address. . . . . 1 to 250  
Supported Languages . . . . . English, Bulgarian, Russian, Turkish  
Weight (without batteries) . . . . . ~260g  
Dimensions. . . . . 255 x 102 x 65mm  
Nominal Operating Temperature . . . . . -5°C 40°C  
Storage Temperature . . . . . -20°C +70°C  
Related Humidity . . . . . ~93% @ +40°C  
Material (plastic), color. . . . . ABS, white



### Packing Information

• **Single packing** - 1 unit SensoIRIS Programmer, packed in ESD protective plastic bag.  
In the supplied equipment are included also two special cables for programming of modules and accessories:  
**5-pin terminal to USB cable** for programming SensoIRIS modules MC-Z, MIO, MOUT and call point MCP150;  
**2 alligator clips to USB cable** for programming SensoIRIS modules MC-D and MINP;  
**Standard base SensoIRIS B124** (mounted to the programmers front cover) for programming of SensoIRIS addressable detectors T110, T110 IS, S130, S130 IS, M140 and M140 IS.



### Compatible Product Range

- **T110, T110 IS, S130, S130 IS, M140, M140 IS** - SensoIRIS addressable detectors
- **MCP150, MIO, MC-Z, MOUT, MC-D, MINP** - SensoIRIS addressable modules

### Contact Information: