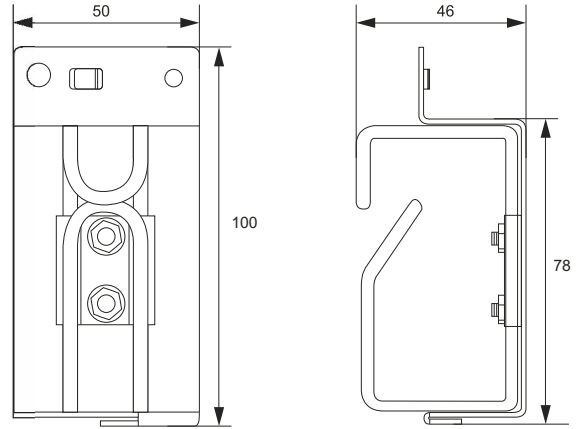


Accessories for cabinets – cable management panel, vertical, metal, left, for RS/ZRS type RACK cabinets

EN

CODE: **RAOK-L v1.0/II**
 NAME: **Cable management panel, vertical , metal, left, for RS/ZRS type RACK cabinets**



INTENDED USE

The cable management panel is intended for organizing and protecting the vertical wiring against unintentional damage inside a RACK cabinet, type: RS/ZRS.

SPECIFICATIONS	
Mounting dimensions:	W=19" , H=1U [mm, +/-2]
External dimensions:	W=100 , H=50 , D=46 [mm, +/-2]
Net/gross weight:	0,126 / 0,135 [kg]
Materials:	sheet metal 1,2 mm , colour: RAL9004
Use:	inside
Notes:	- two-point fixing to the front RACK rails